



MICRO SWITCH

FREERPORT, ILLINOIS, U.S.A.
A DIVISION OF HONEYWELL

FED. MFG. CODE 91929

SWITCH-BASIC

CATALOG LISTING
BZ-2RQ

DRAWING NUMBER
BZ-2RQ
PAGE 1 OF 1

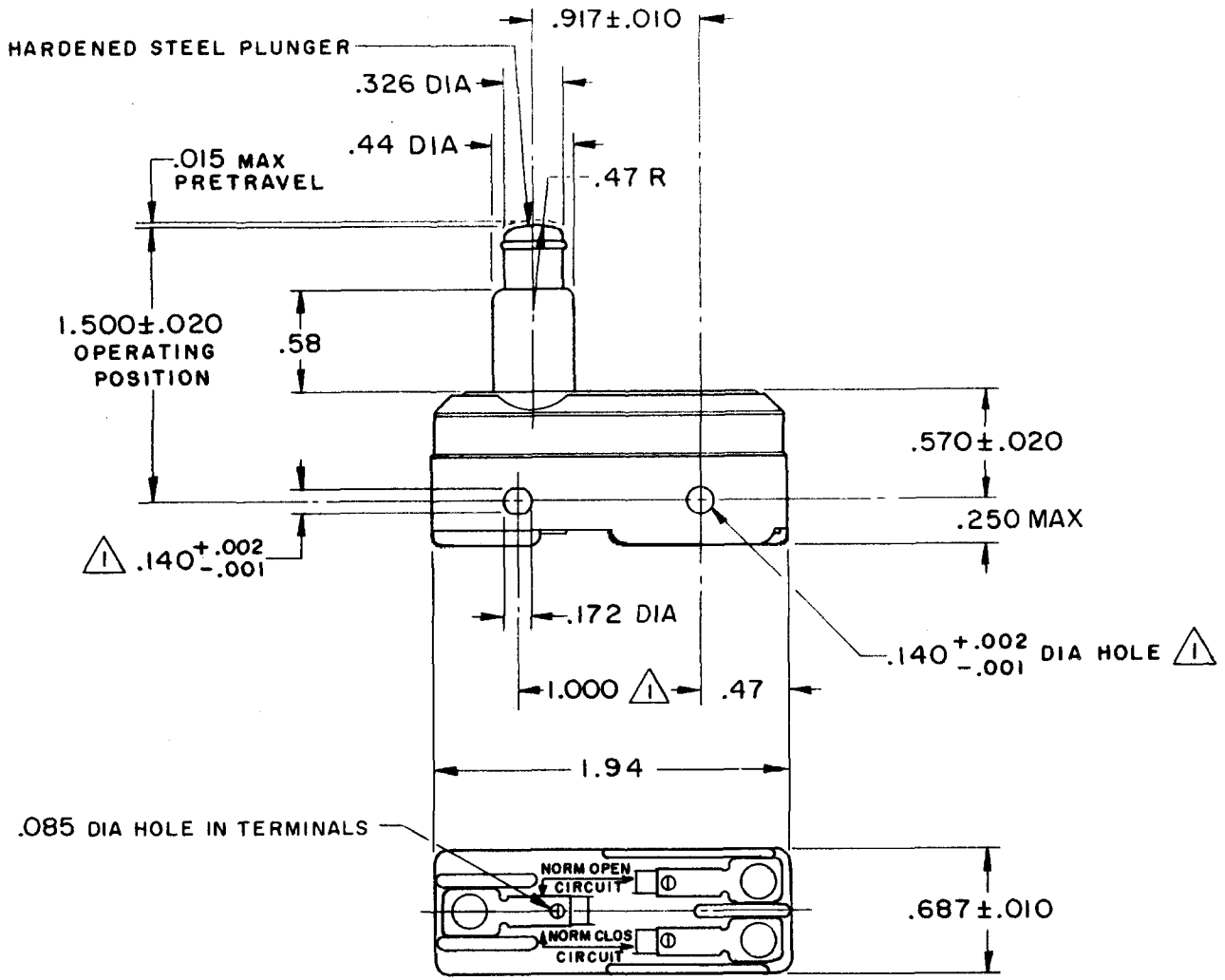
ISSUE
M

ISSUE
9

REVISIONS

A	CO17410	LEB	30 APR 63
B	CO46304	LAP	12 OCT 79
C	CO58037	SMA	1 OCT 85
D	CO78874	DLT	18 NOV 94
E	CO93346	DLT	10 SEP 98
F	CO94212-J	JJA	5 OCT 99

FORMTEK
FO-50378
DRAWN
LEB 30 APR 63
CHECK
LSD 1 MAY '63



NOTE
 ▲ - MOUNTING HOLES WILL ACCEPT PINS OR SCREWS OF .139 MAX DIA ON 1.000 ± .002 CENTERS

THIS DRAWING COVERS A PROPRIETARY ITEM AND IS THE PROPERTY OF MICRO SWITCH, A DIVISION OF MINNEAPOLIS-HONEYWELL REGULATOR CO. THIS DRAWING IS NOT TO BE COPIED OR USED WITHOUT THE APPROVAL OF MICRO SWITCH.

CHARACTERISTICS	ELECTRICAL DATA	SCALE FULL
OPERATING FORCE-----9 -13 OZ	CONTACT ARRANGEMENT S P D T	DO NOT SCALE PRINT
RELEASE FORCE-----4 OZ MIN	UNDERWRITERS' LAB. INC. LISTED RATING -L96- 15 A -125, 250, OR 480 VAC	UNLESS OTHERWISE NOTED
DIFFERENTIAL TRAVEL-----.0004-.0020	1/2 A -125 VDC; 1/4 A -250 VDC	DIMENSIONS ARE IN INCHES
OVERTRAVEL-----.219 MIN	1/8 HP-125 VAC; 1/4 HP-250 VAC	TOLERANCES ARE:
	-L288-	ONE PLACE (.0) ±.030
	-L299- 16A 250V ~ T85 5E4	TWO PLACE (.00) ±.015
	-L306-	THREE PLACE (.000) ±.005
		ANGLES ±
		WEIGHT .078 LB